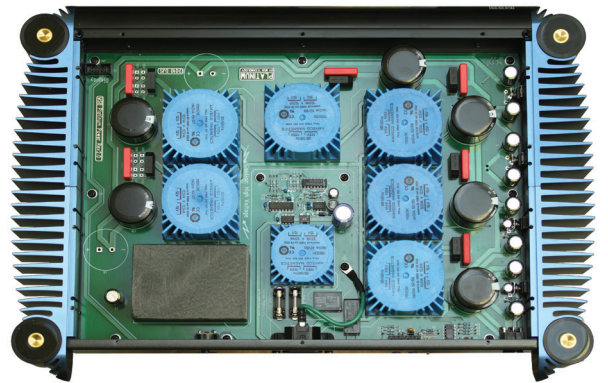




Rev 7 - February 2015

SIGNATURE DAC V POWER BASE USERS MANUAL

INPUTS:	100 - 120 VAC OR 200 -240 VAC SWITCHABLE
DAC OUTPUT:	12VDC @1.75 A 12VDC @1.75 A +/- 24 V DC @ 1 A
TRANSPORT OUTPUT:	12 VDC @ 3 A
CONTROL FEATURES:	12 V REMOTE POWER ON/OFF OPTIONAL FRONT PANEL REMOTE



Signature Power Base with 7 transformers..

VOLTAGE CONVERSION AND CHANGING FUSES

The Power Base detects the input voltage and switches for 120 V or 240 V operation.

Two fuses are provided:

* 5A 250V - 5 mm x 20 mm miniature fuse is the main fuse.

* 100mA 250V - 5 mm x 20 mm miniature fuse is for the standby supply.

These fuses are to protect the product in the case of internal failure. These fuses should not blow during unusual power surges or disturbances. To check the fuses, remove the cover and examine.

WARRANTY

All MSB products carry a one year warranty in the country of origin. No returns accepted without an RMA. Upon receipt, MSB will repair or replace any defective product. All product shipped FOB Watsonville. Shipping and shipping damage is the responsibility of the consignee.

TROUBLESHOOTING

Switch is Amber - unplug remote trigger and test.

MSB product not on but switch green - Check cable. Plugged in all the way?

TWO TYPES OF MSB POWER SUPPLIES

The Power Base provides regulated, clean DC power to MSB products. There are two types of MSB power supplies. There are those with analog signals present and those that are strictly digital.

Products that have mixed digital and analog signals are the Analog DAC, DAC V and ADC.

Products that are purely digital are DATA CD V, Transports and Digital processors.

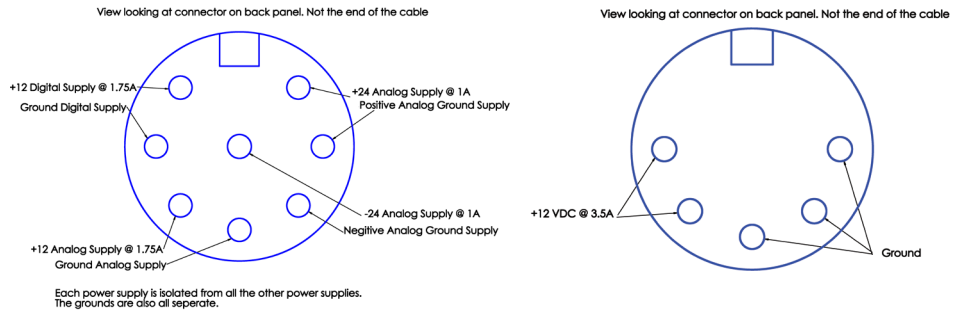
This Power Base can provide one analog output and one digital output.

12 VOLT REMOTE TRIGGER

This power supply is equipped with a remote trigger for use with other MSB products. The trigger uses a headphone jack. When any MSB product is turned off, the other products connected will also turn off and vice-versa. The connector is wired as shown. If you connect "signal" to "ground", all MSB products will turn off. If you connect "signal" to "12 V", all MSB products will turn on.

POWER INDICATOR

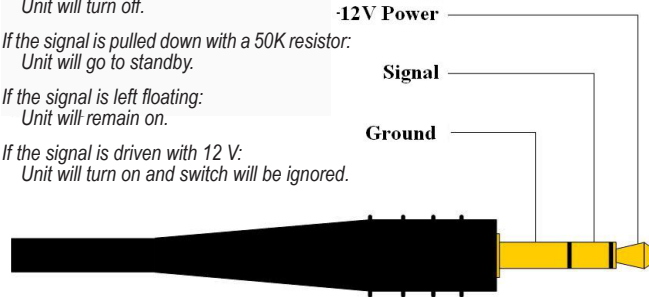
The switch on the back of the unit turns the output power on and off. The switch will show green when powered on, and red when off. If the remote trigger is used to turn on or off the unit, the switch may be in the wrong position but the color will indicate it is being controlled by another source as shown in the table.



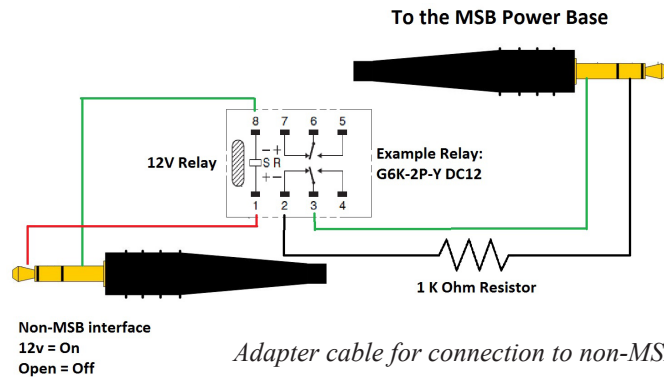
8 pin DIN Mixed Supply

Optional 5 pin DIN 12 V Transport Supply

- If the signal is pulled low:
Unit will turn off.
- If the signal is pulled down with a 50K resistor:
Unit will go to standby.
- If the signal is left floating:
Unit will remain on.
- If the signal is driven with 12 V:
Unit will turn on and switch will be ignored.



12 Volt Remote Trigger wiring.



Adapter cable for connection to non-MSB Products

Power Supply LED Color Table

- Green: The unit is on and operating
- Amber: The switch for the unit is on, but the 12V trigger has turned it off, OR, the switch for the unit is on, but the protection has shut it off because of overheating or over voltage.
- Red: The switch is in the Off position.
- Off: The switch for the unit is off but the 12 V trigger has turned the unit on, overriding the switch, OR, there is no power due to a blown fuse or no power connection.

Note: Push connector firmly in with a 2 step process.

Optional 5 pin DIN 12 V Transport Supply

8 pin DIN Mixed Supply for DAC or ADC

